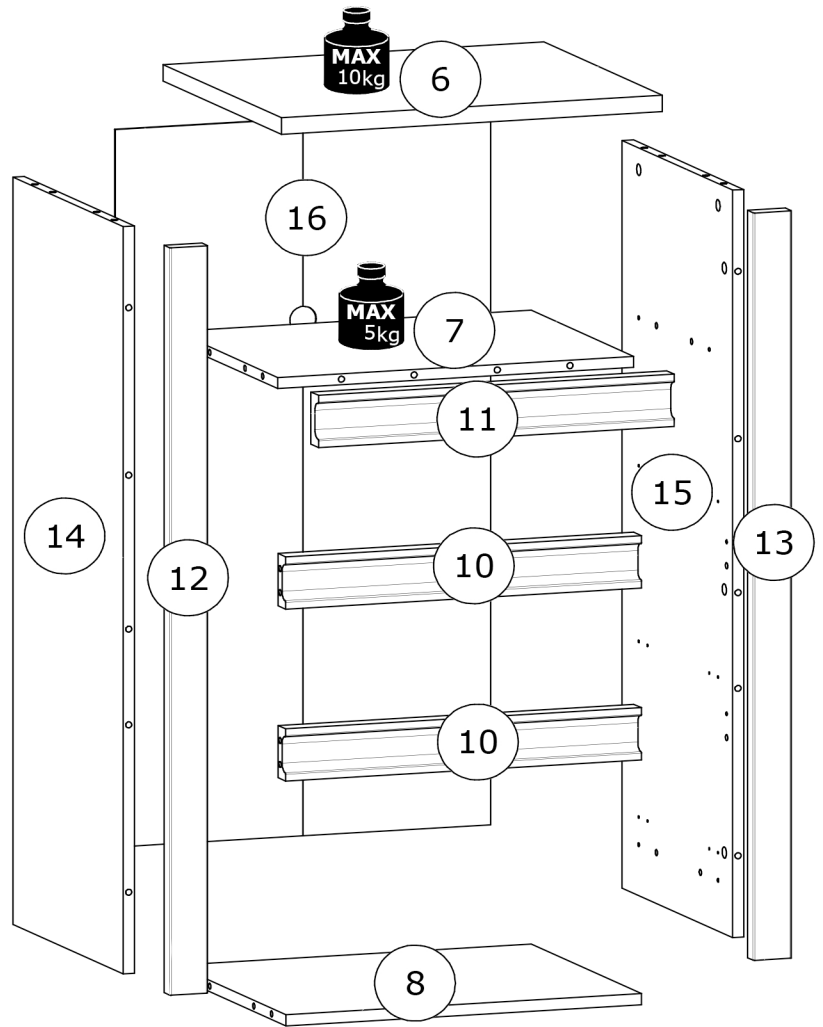
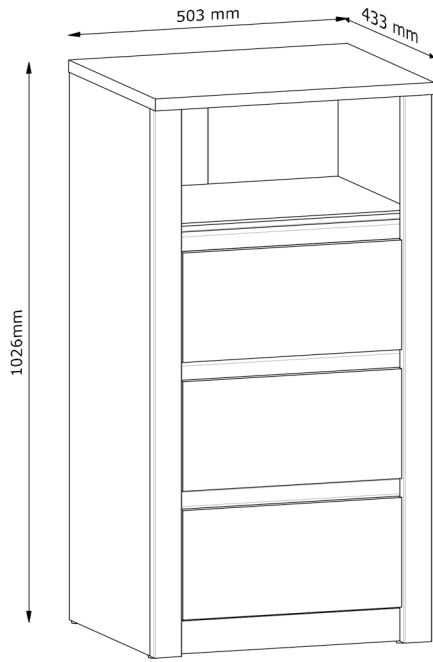
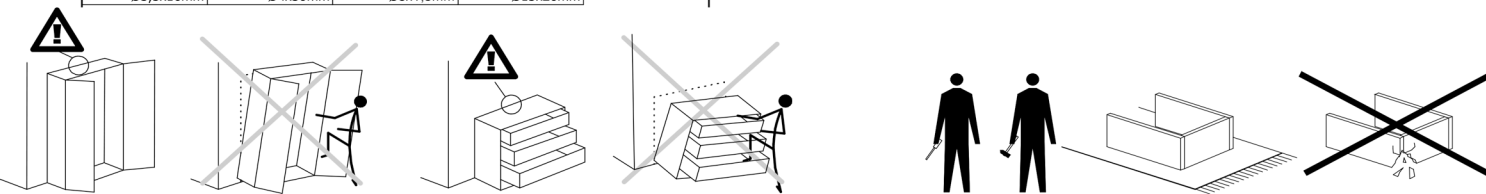
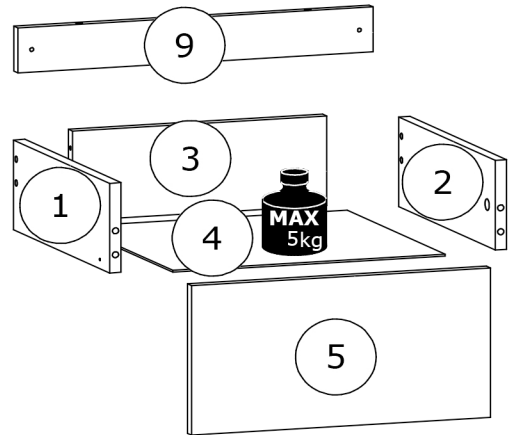
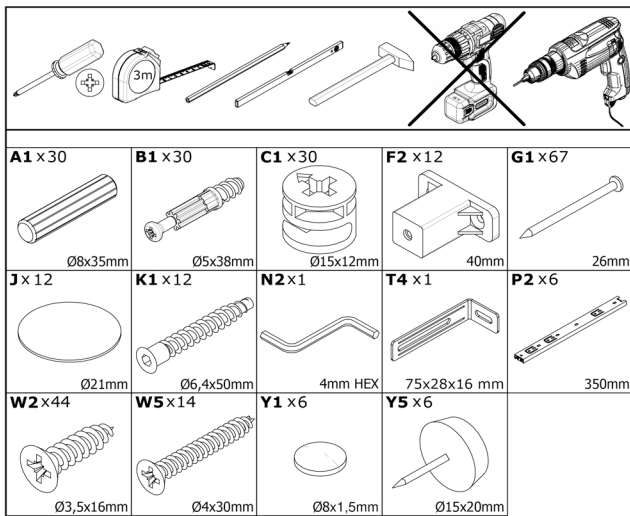


MONTANA

KS3

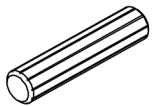


No.	L[mm]	W[mm]	H[mm]	PCS	BOX
1	350	120	15	3	2/2
2	350	120	15	3	2/2
3	336	120	15	3	2/2
4	360	355	2,5	3	1/2
5	395	200	15	3	2/2
6	503	430	22	1	2/2
7	470	371	15	1	1/2
8	470	400	15	1	1/2
9	469	60	15	1	2/2
10	470	70	28	2	2/2
11	470	70	28	1	2/2
12	1000	50	22	1	1/2
13	1000	50	22	1	1/2
14	1000	400	15	1	1/2
15	1000	400	15	1	1/2
16	496	960	2,5	1	1/2



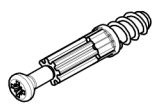
1

A1 x 8

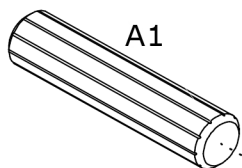
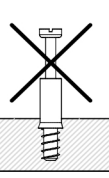
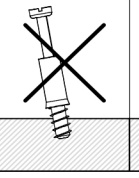
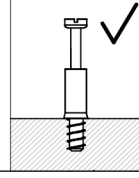
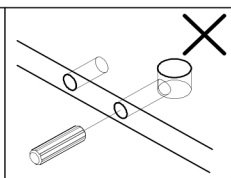
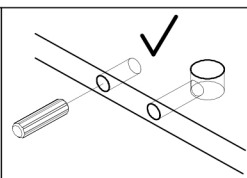
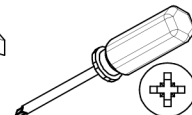
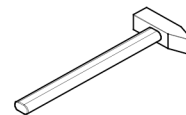


Ø8x35mm

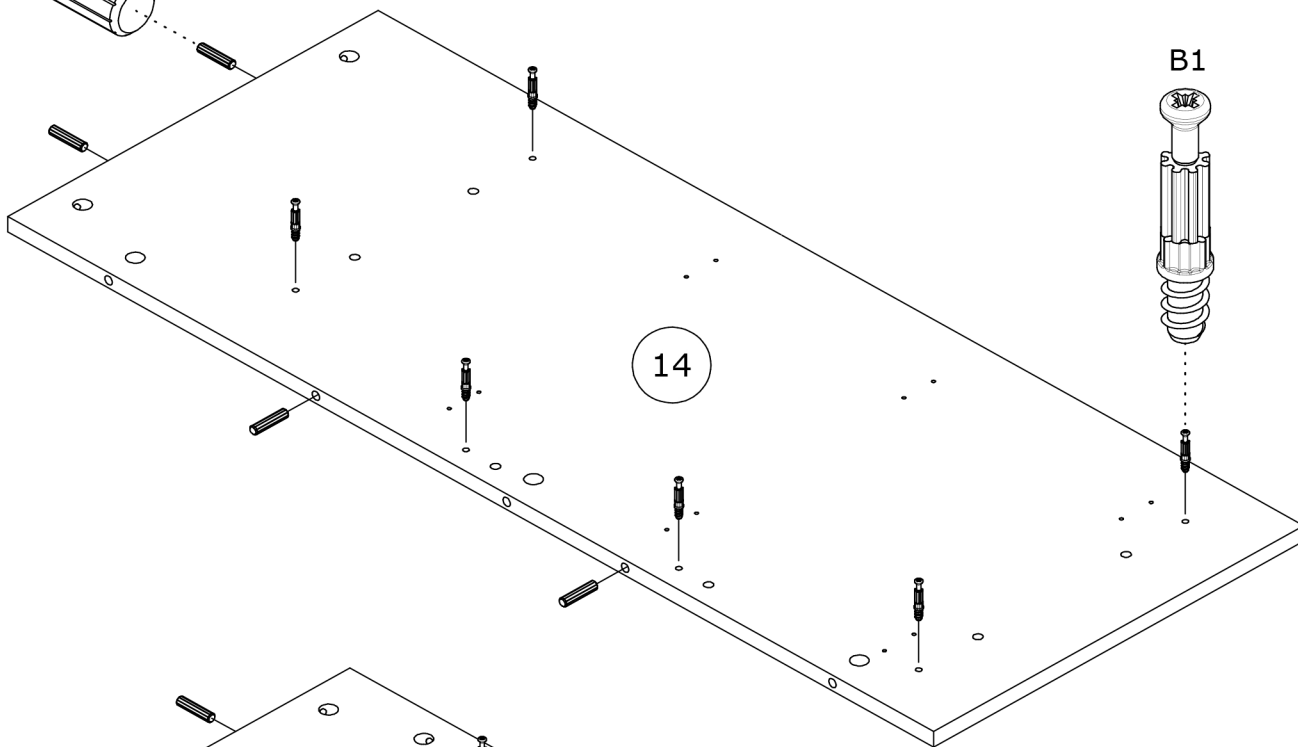
B1 x 12



Ø5x38mm

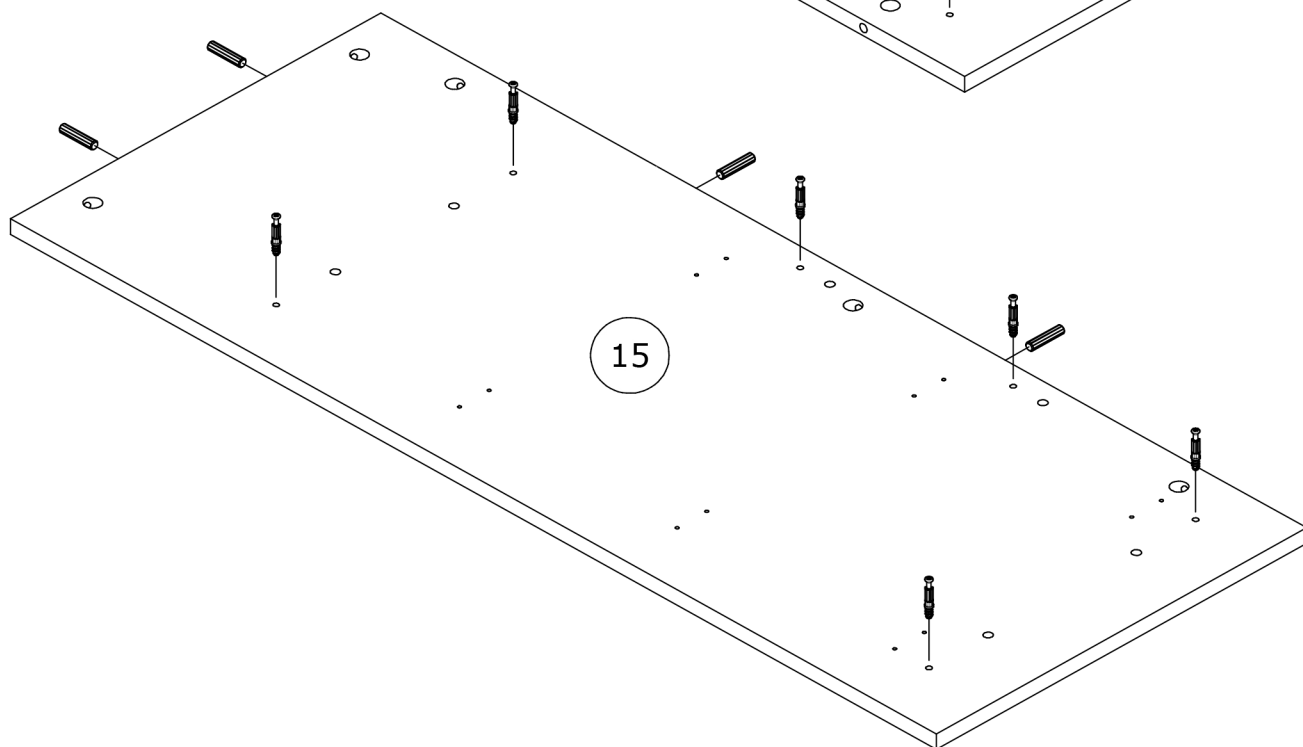


A1



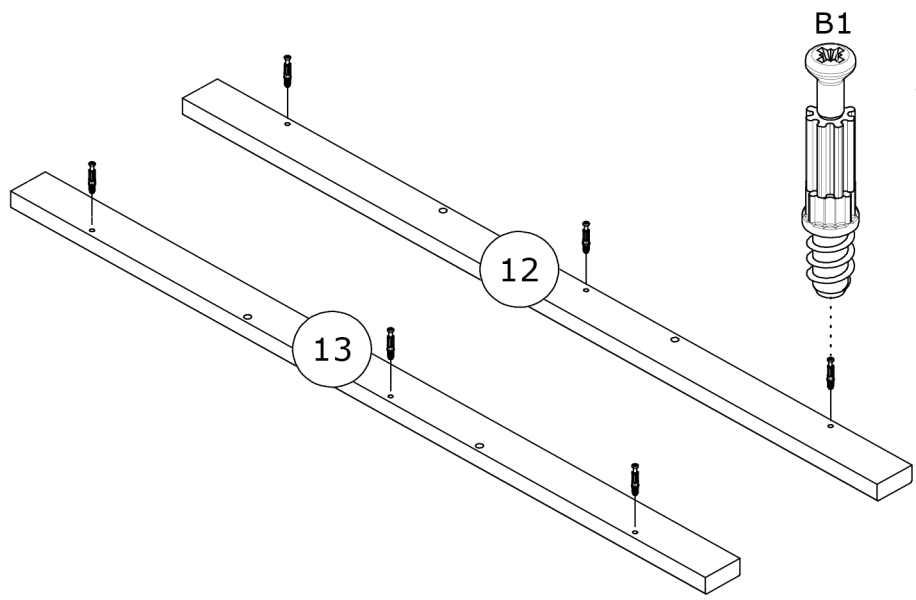
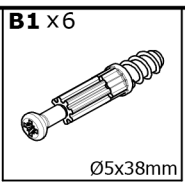
14

B1

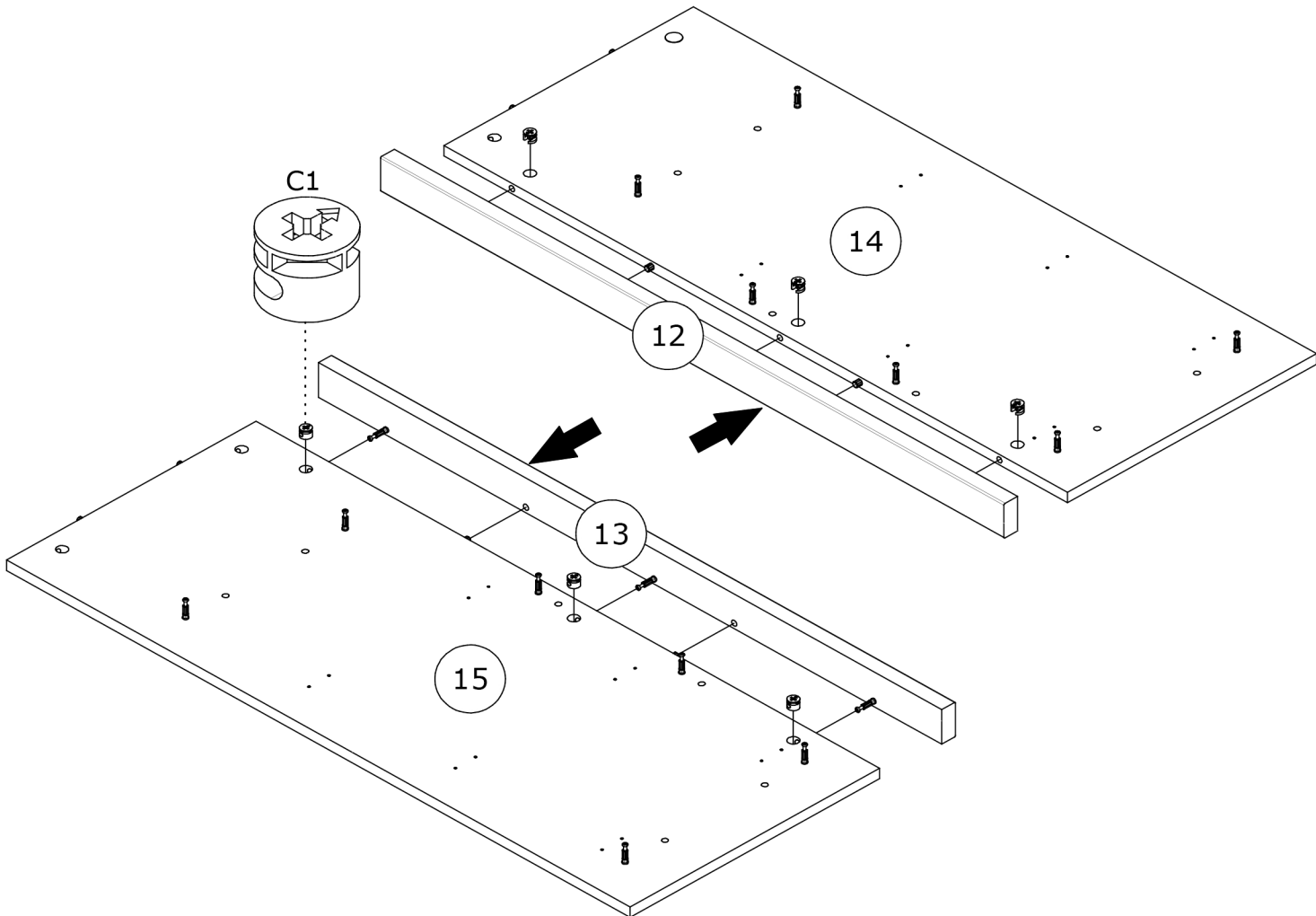
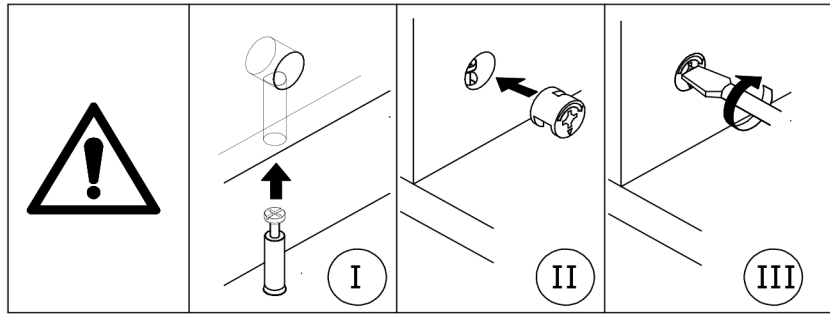
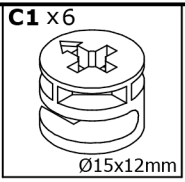


15

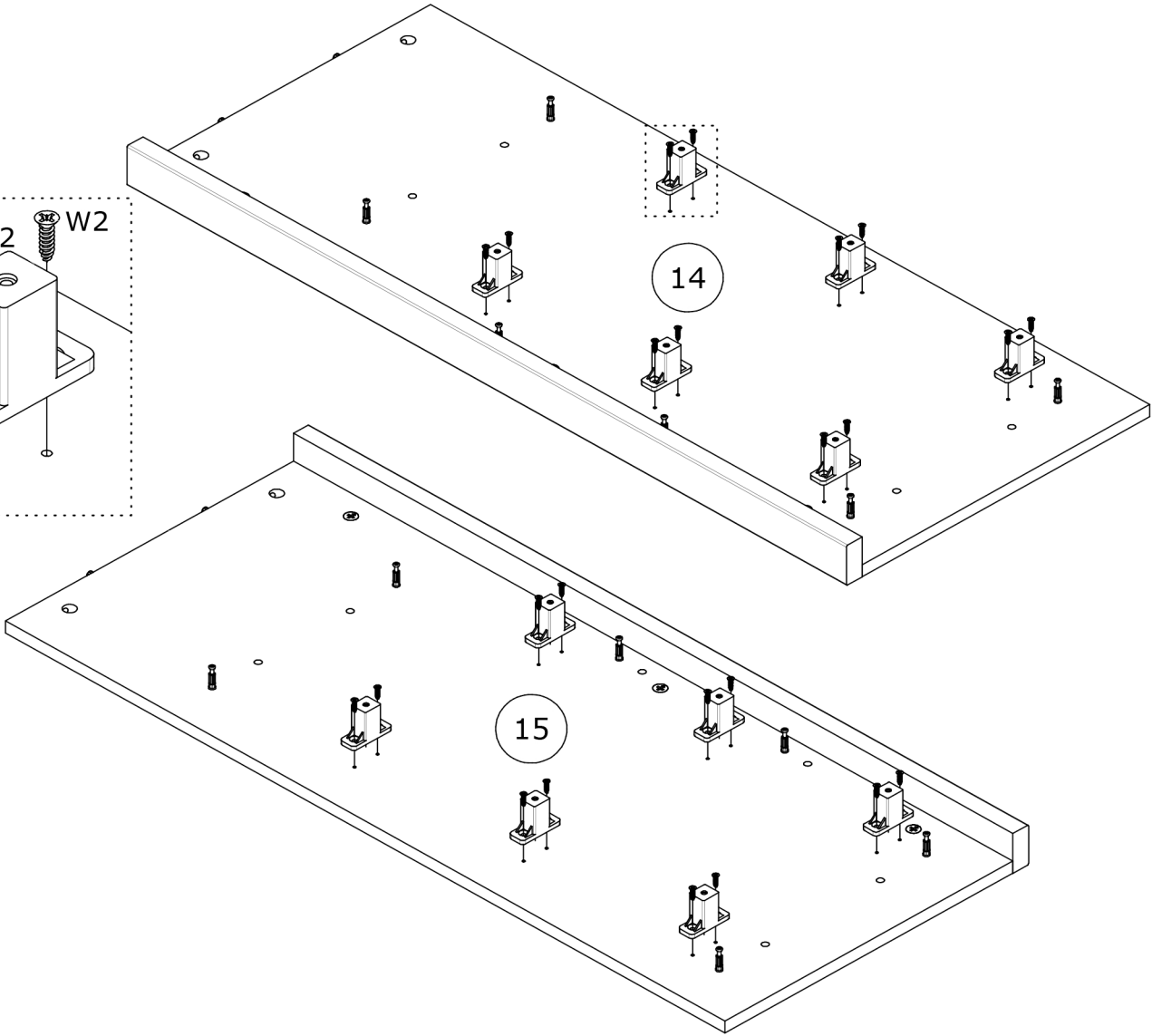
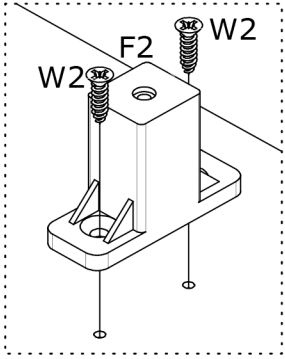
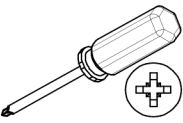
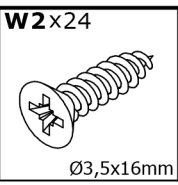
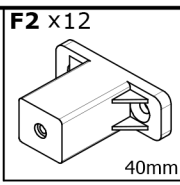
2



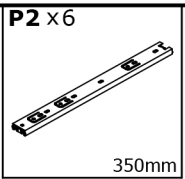
3



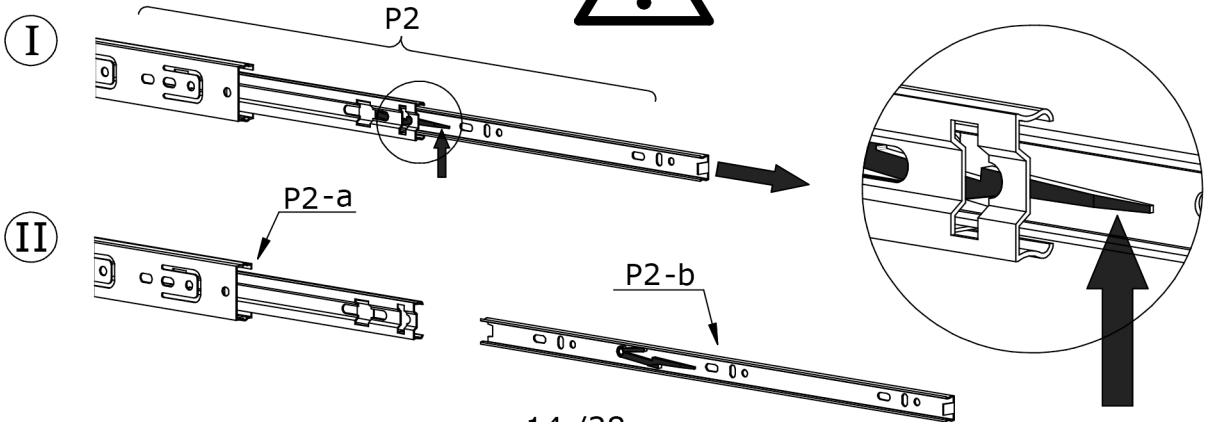
4



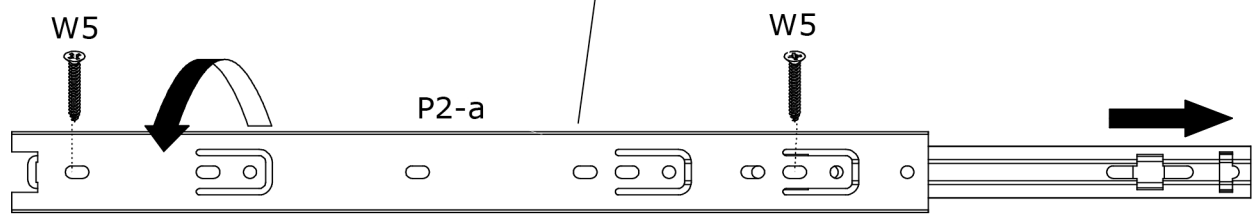
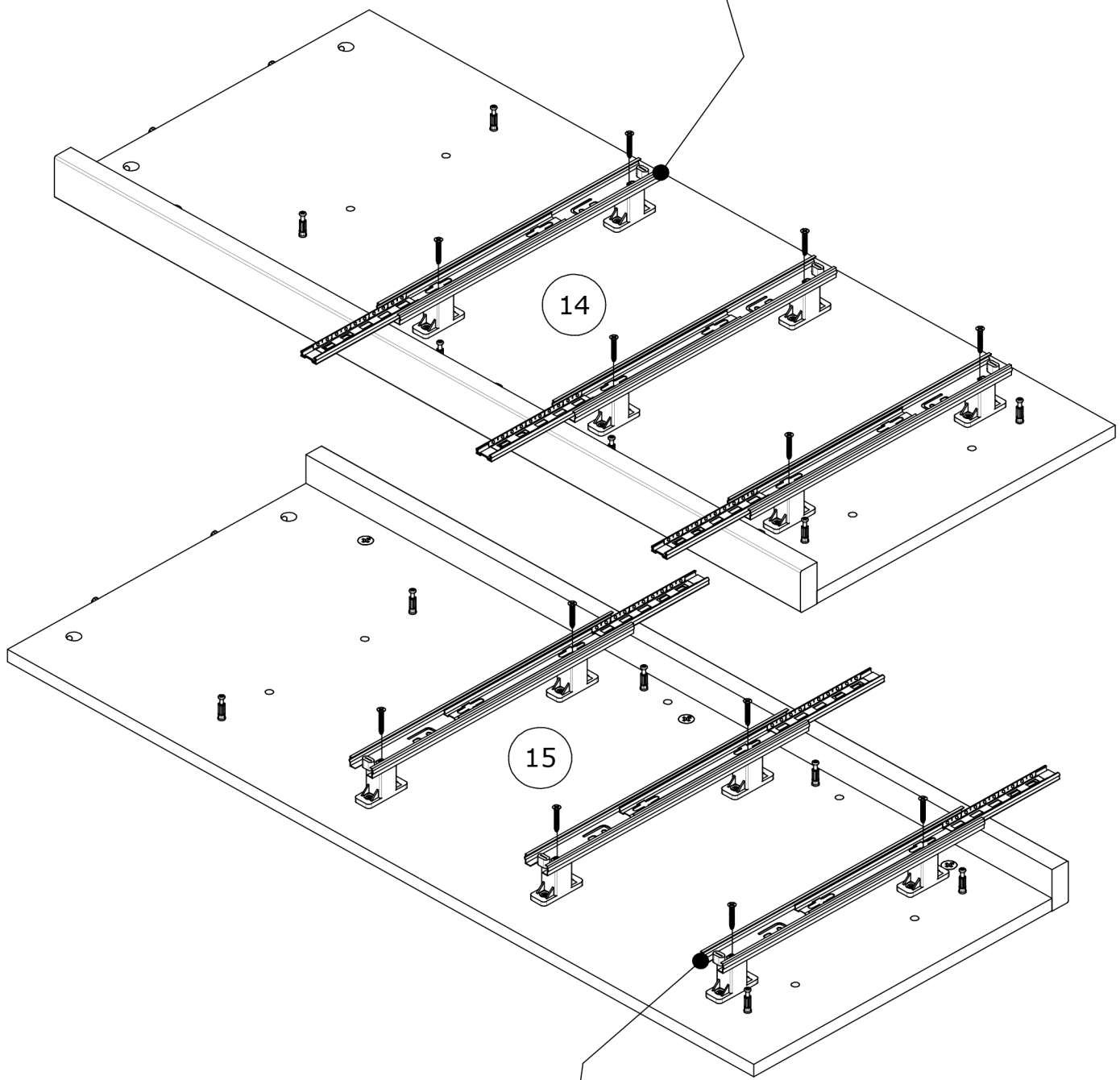
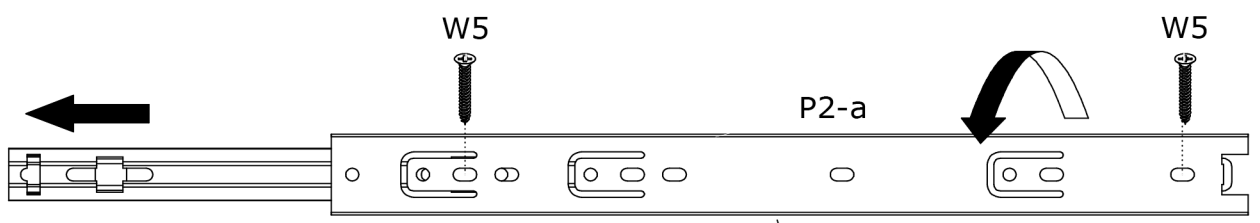
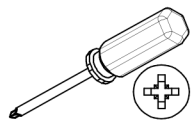
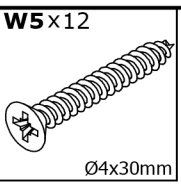
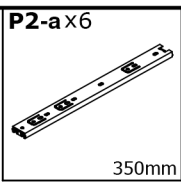
5



$P2 = P2-a + P2-b$

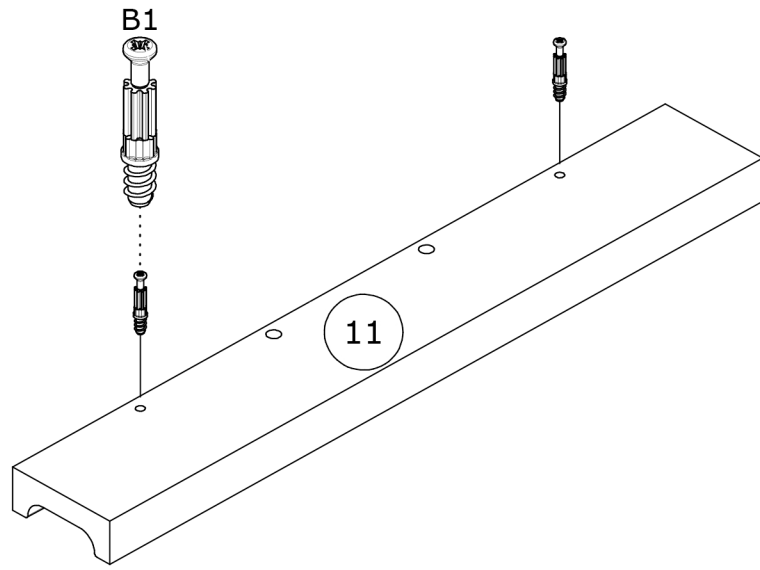


6



7

B1 x 2
Ø5x38mm

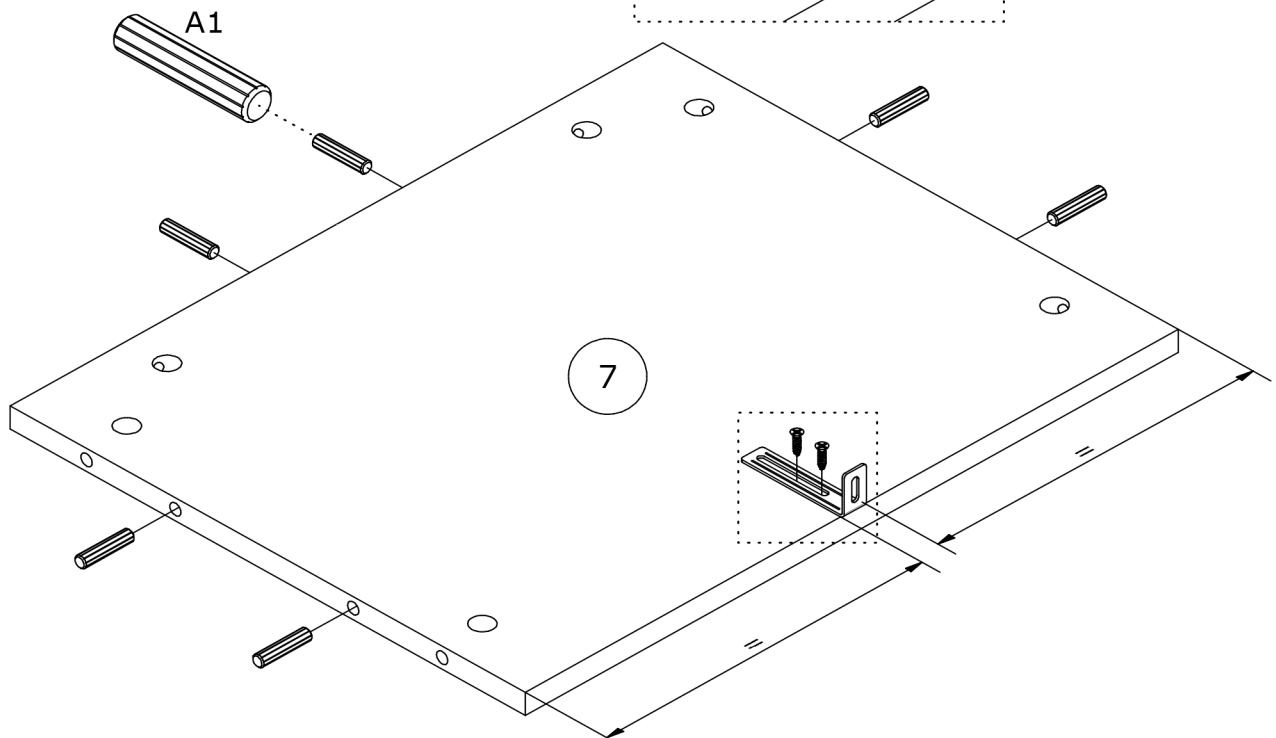
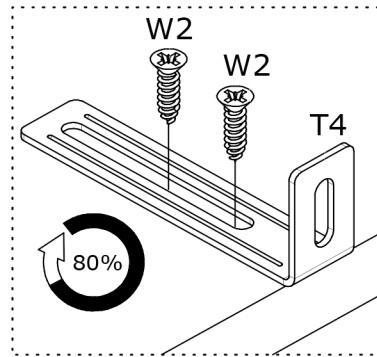
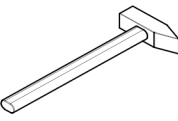
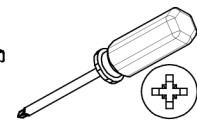
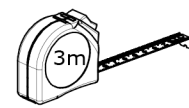


8

A1 x 6
Ø8x35mm

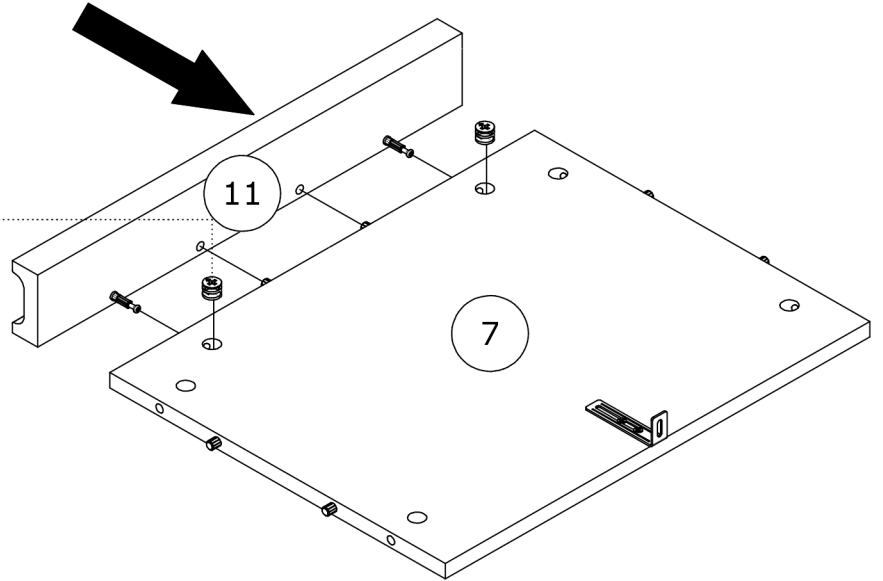
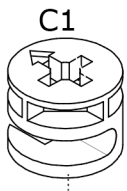
T4 x 1
75x28x16 mm

W2 x 2
Ø3,5x16mm



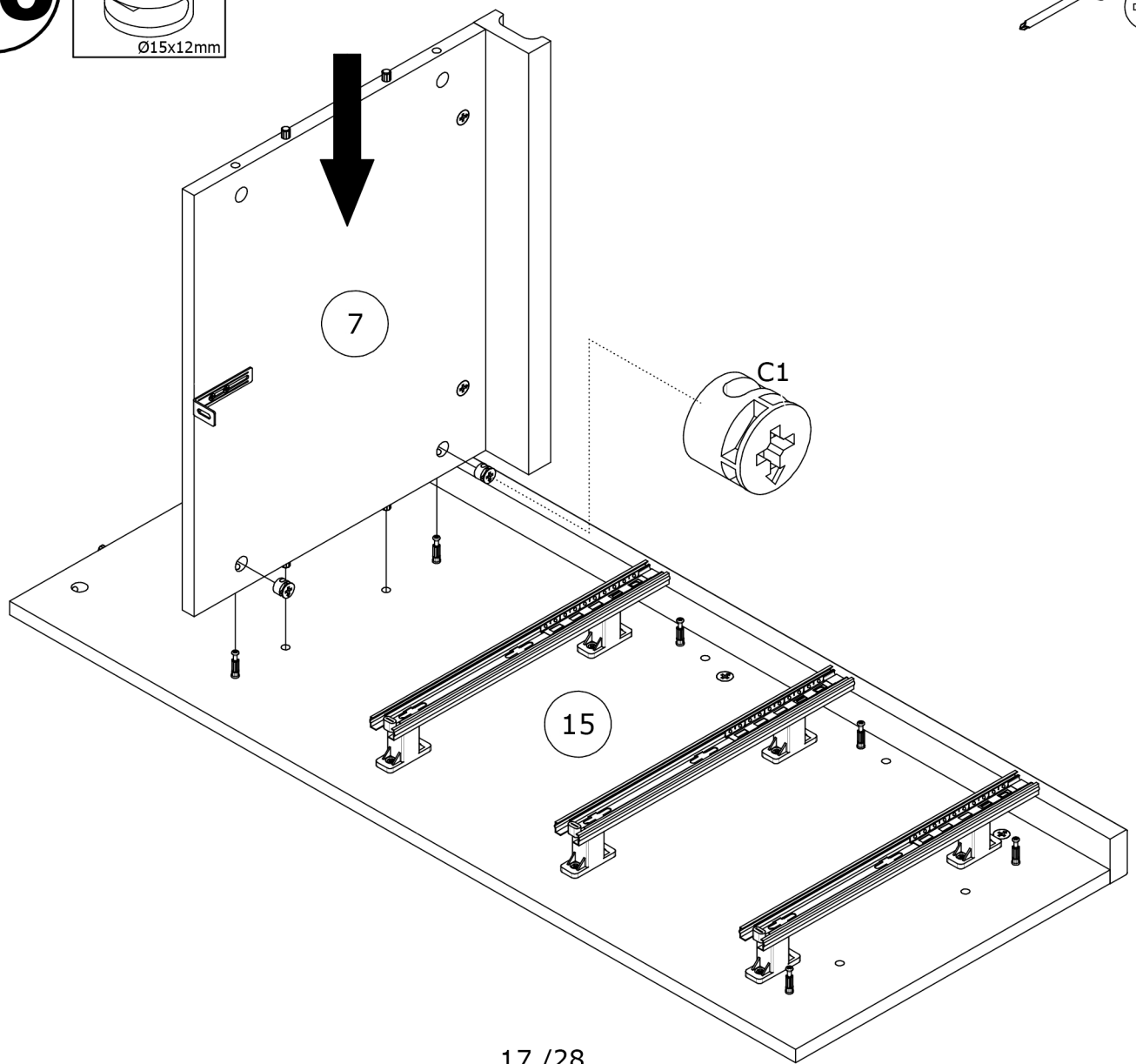
9

C1 x 2
Ø15x12mm

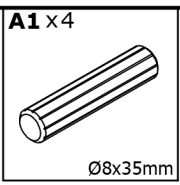


10

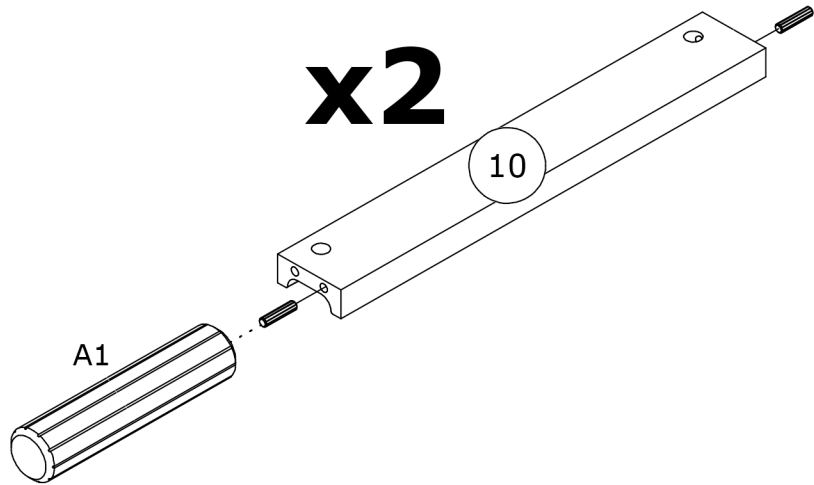
C1 x 2
Ø15x12mm



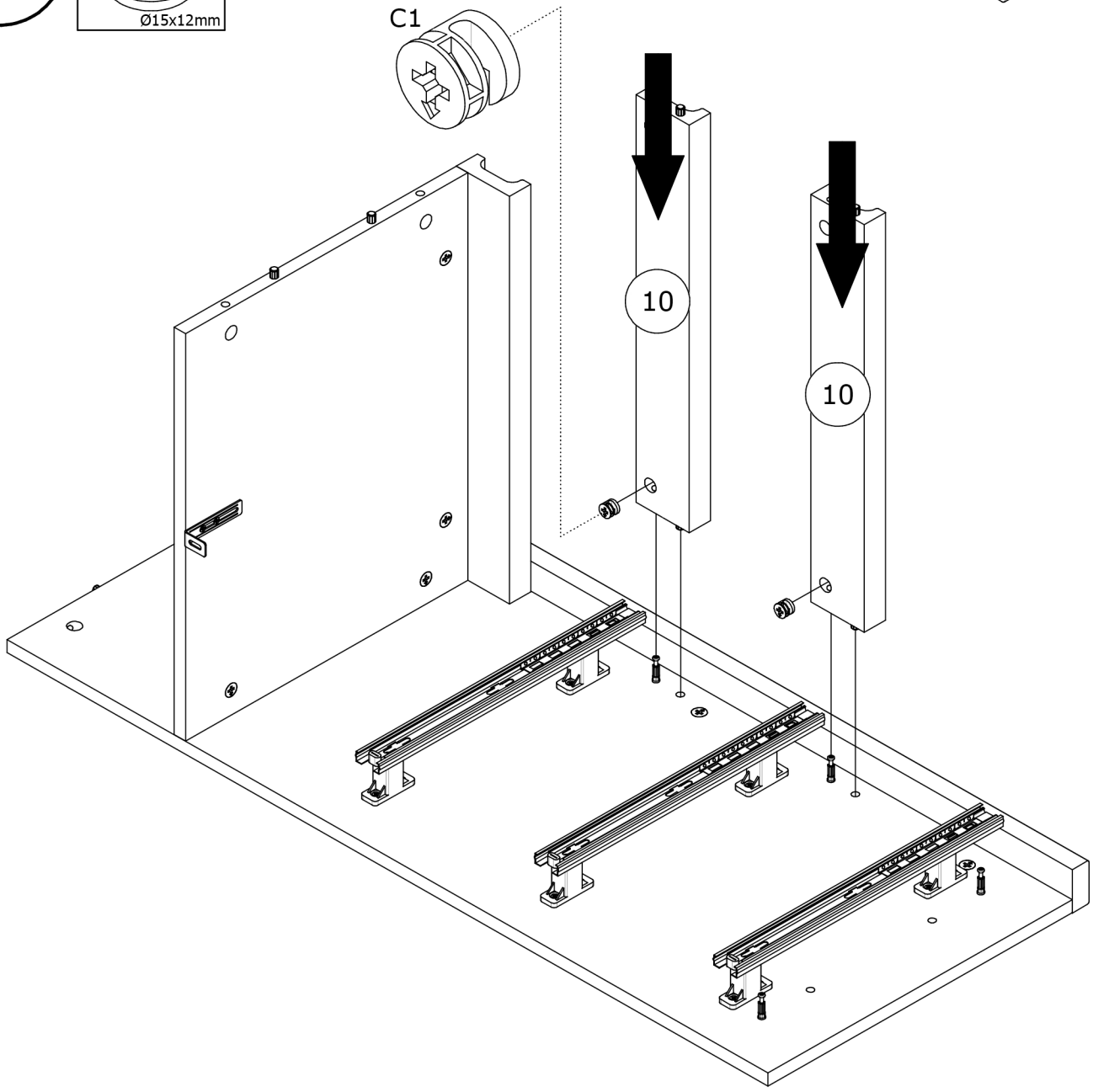
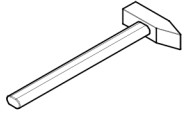
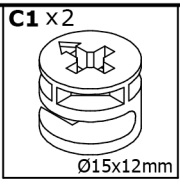
11



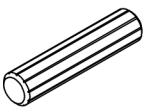
x2

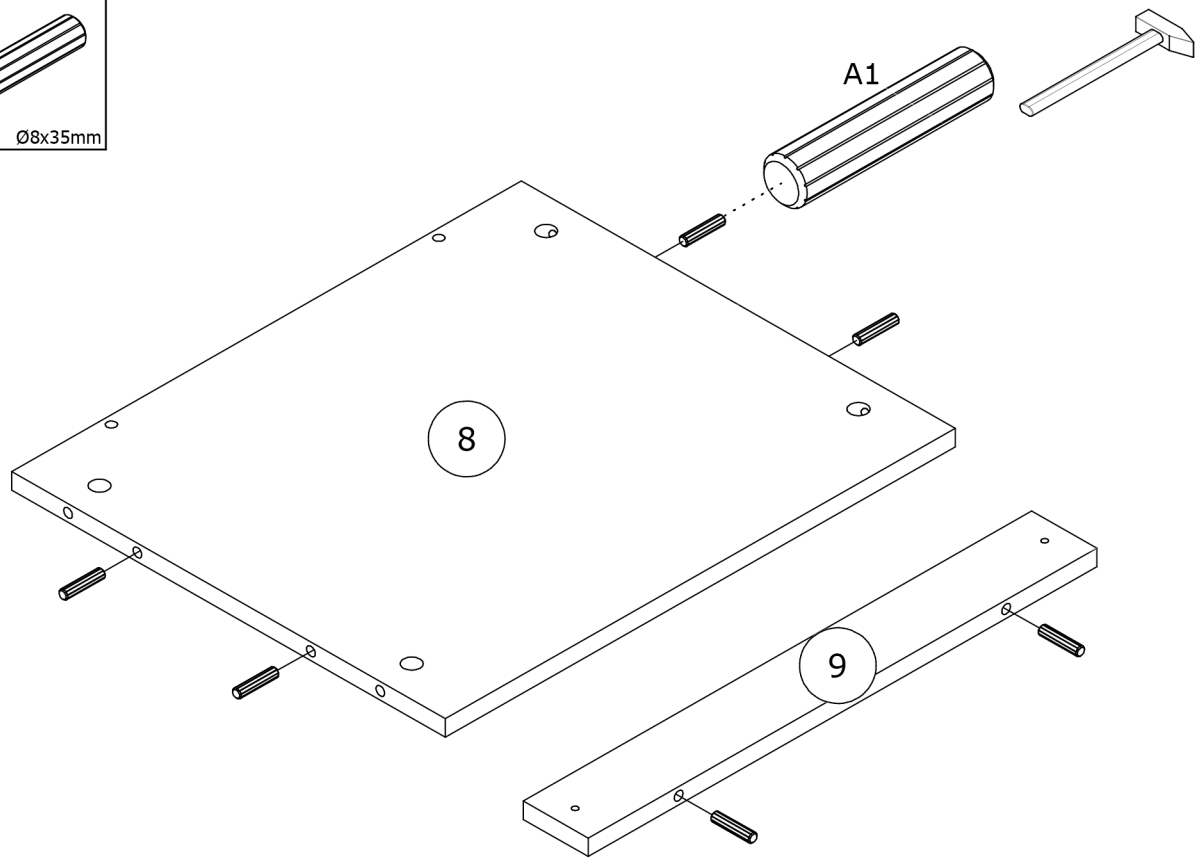


12

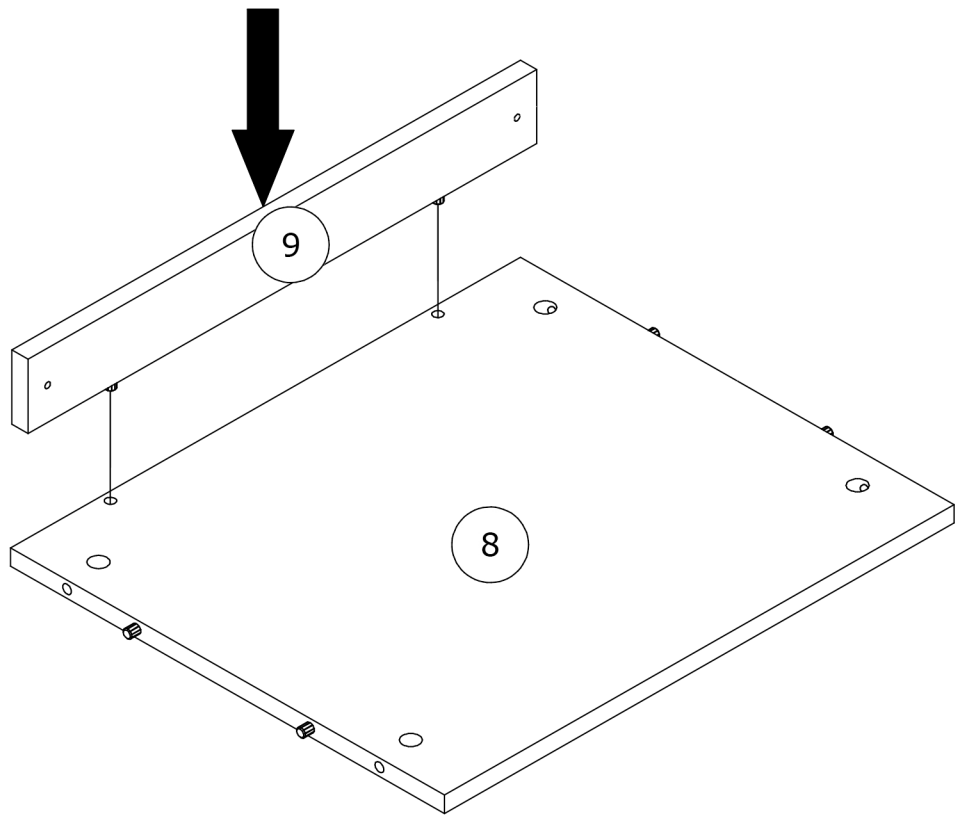


13

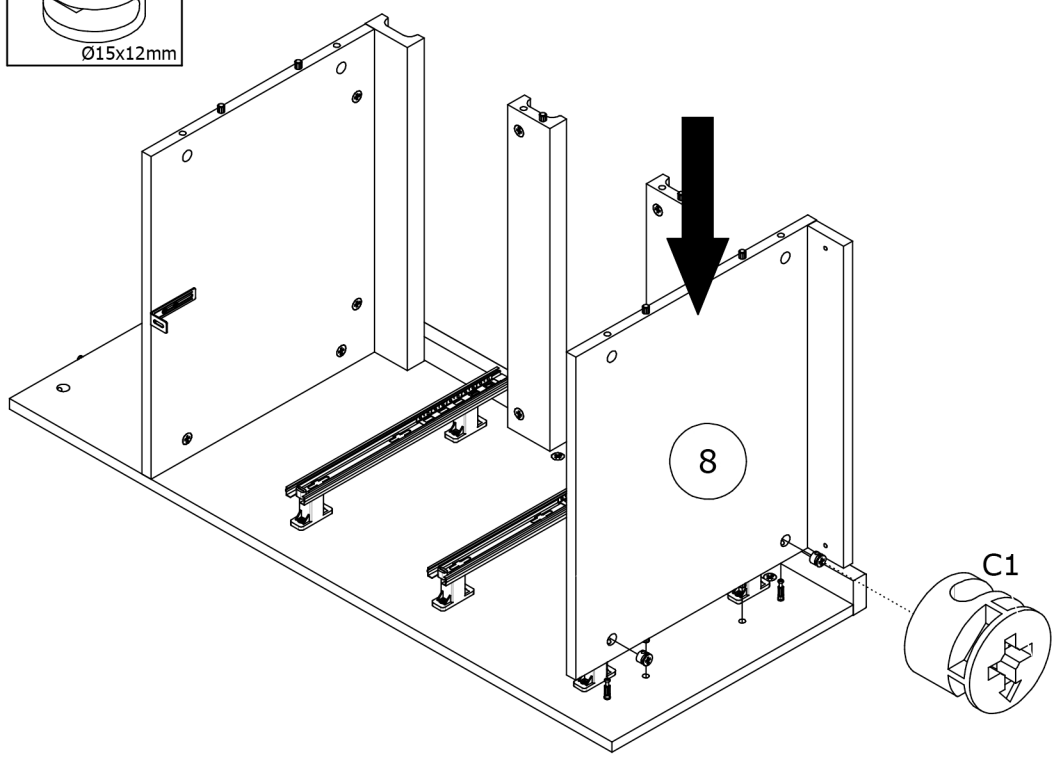
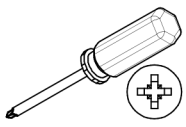
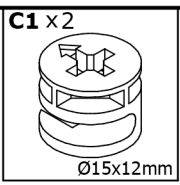
A1 x 6

Ø8x35mm



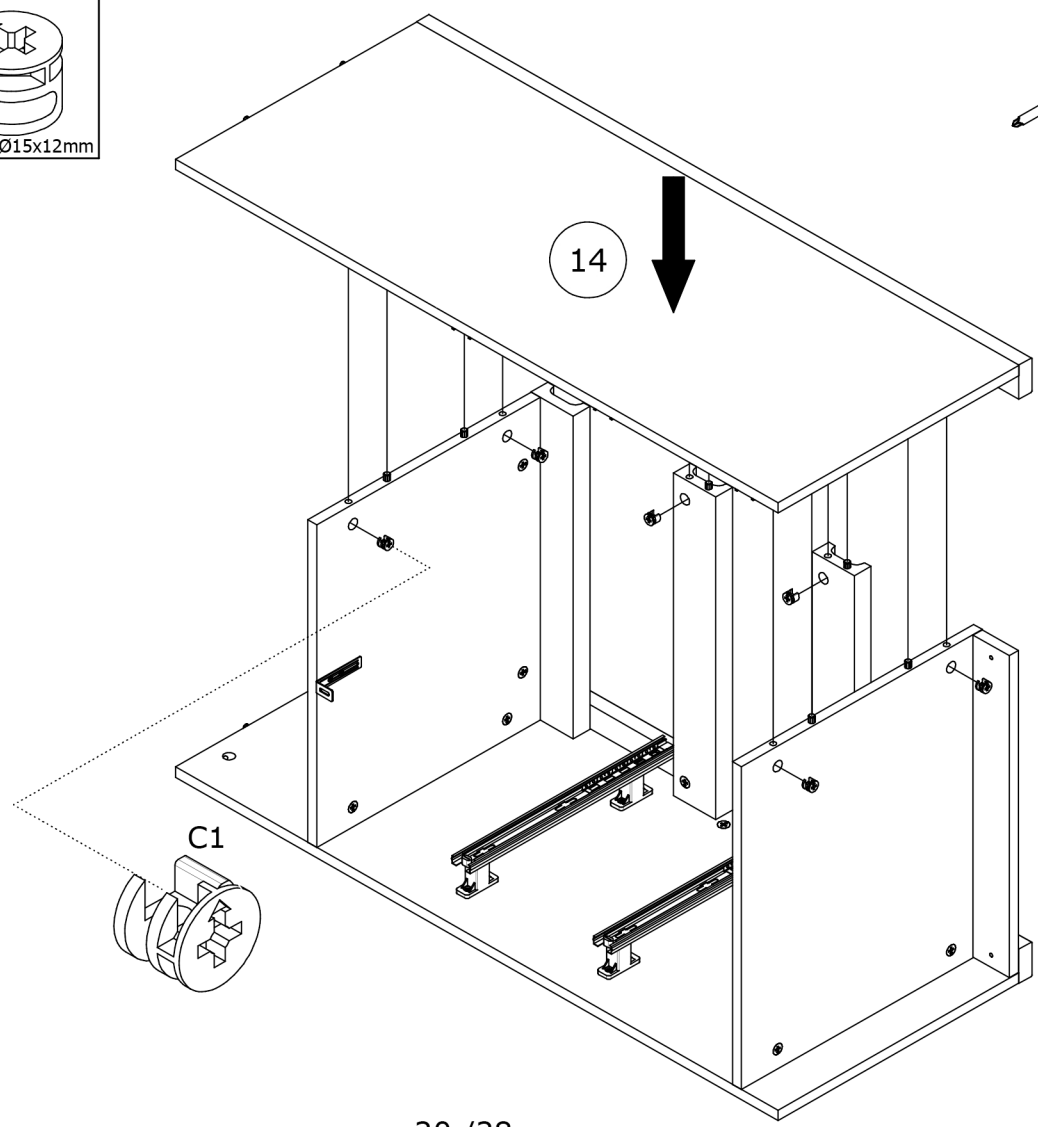
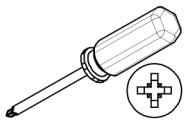
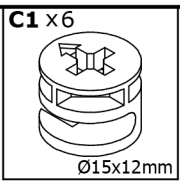
14



15

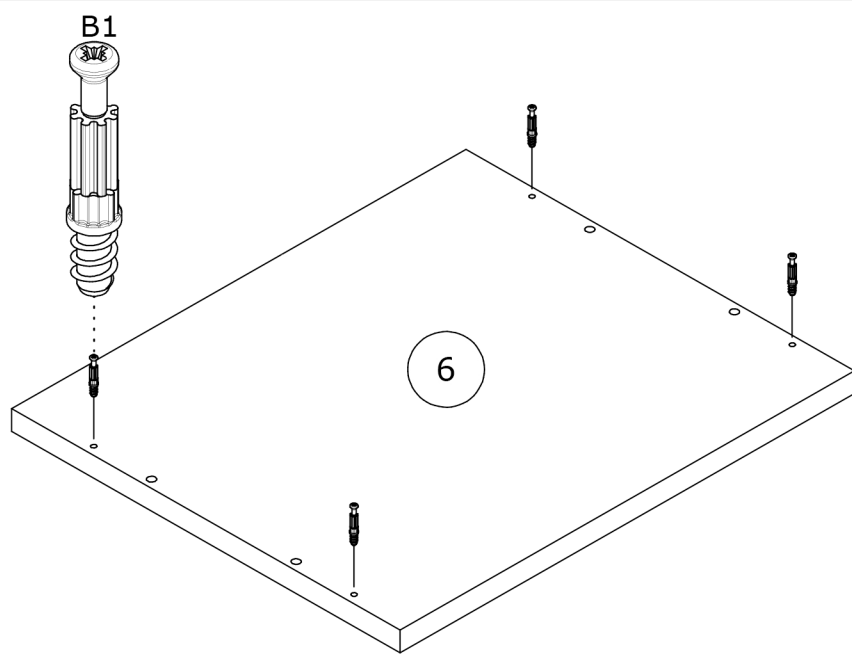


16



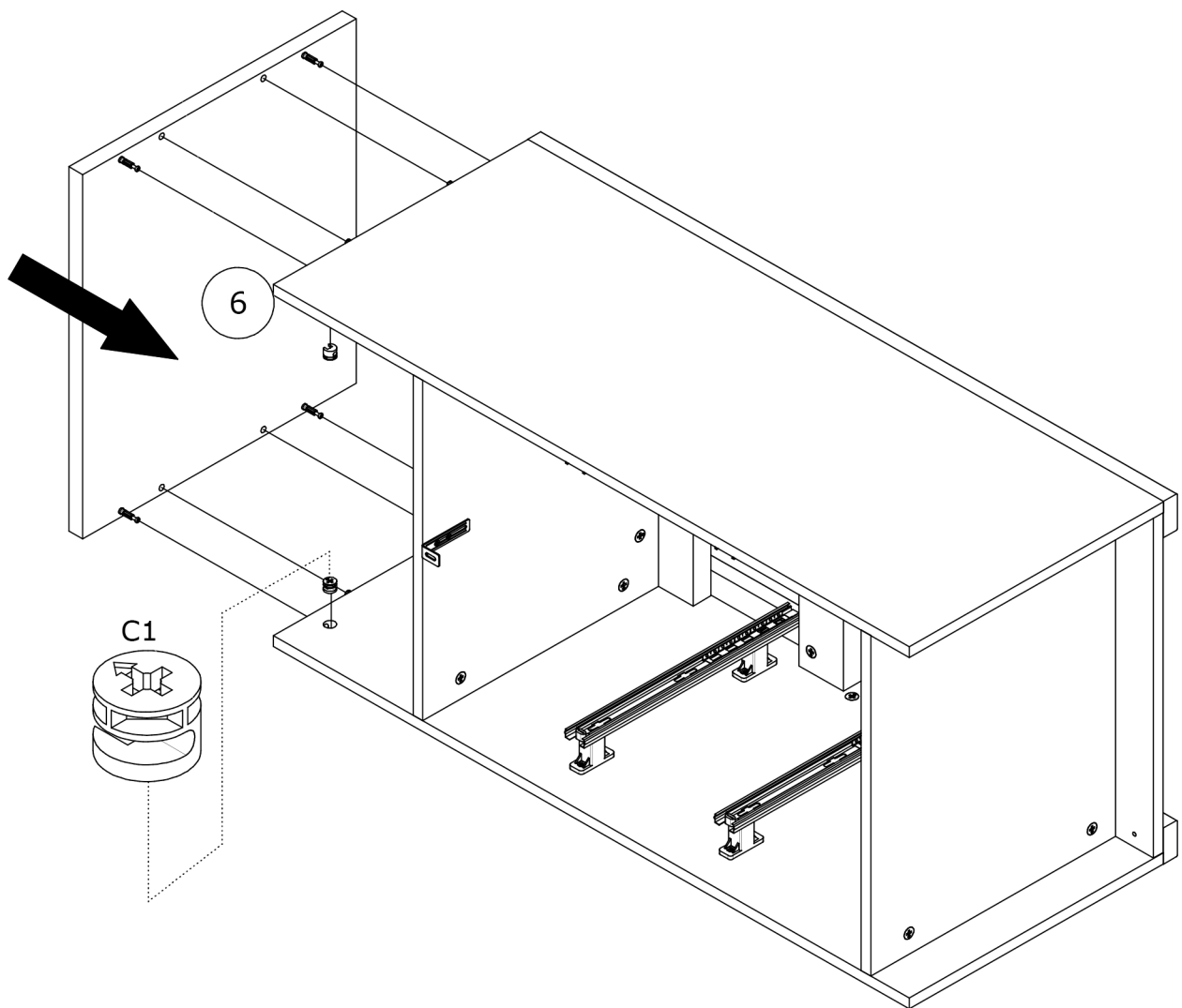
17

B1 x 4
Ø5x38mm

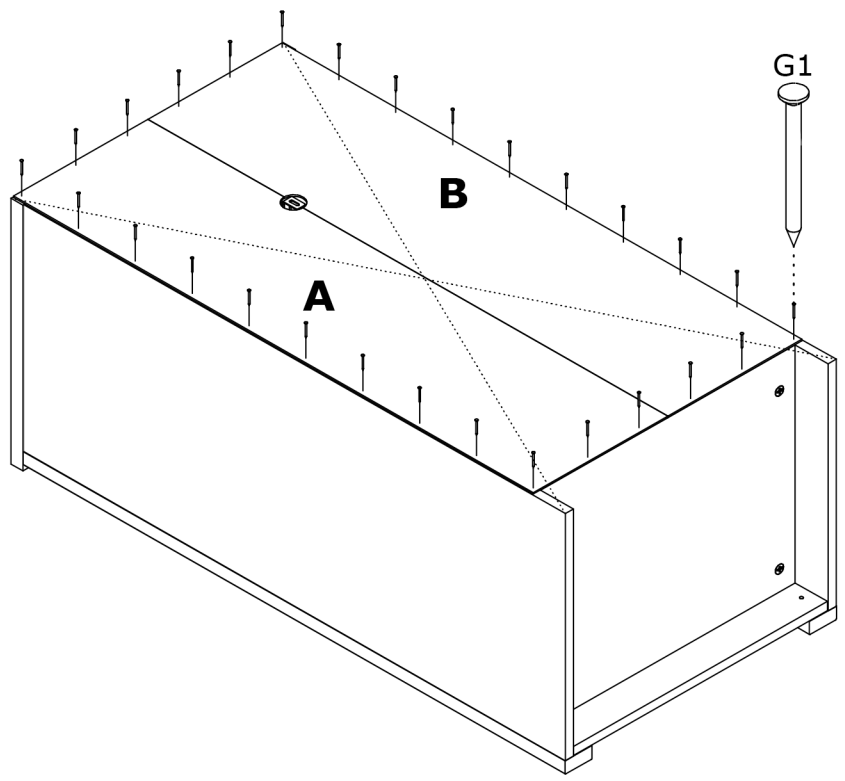
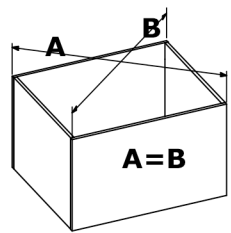
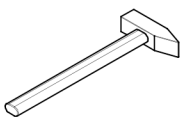
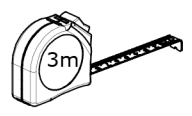
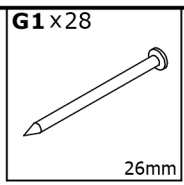


18

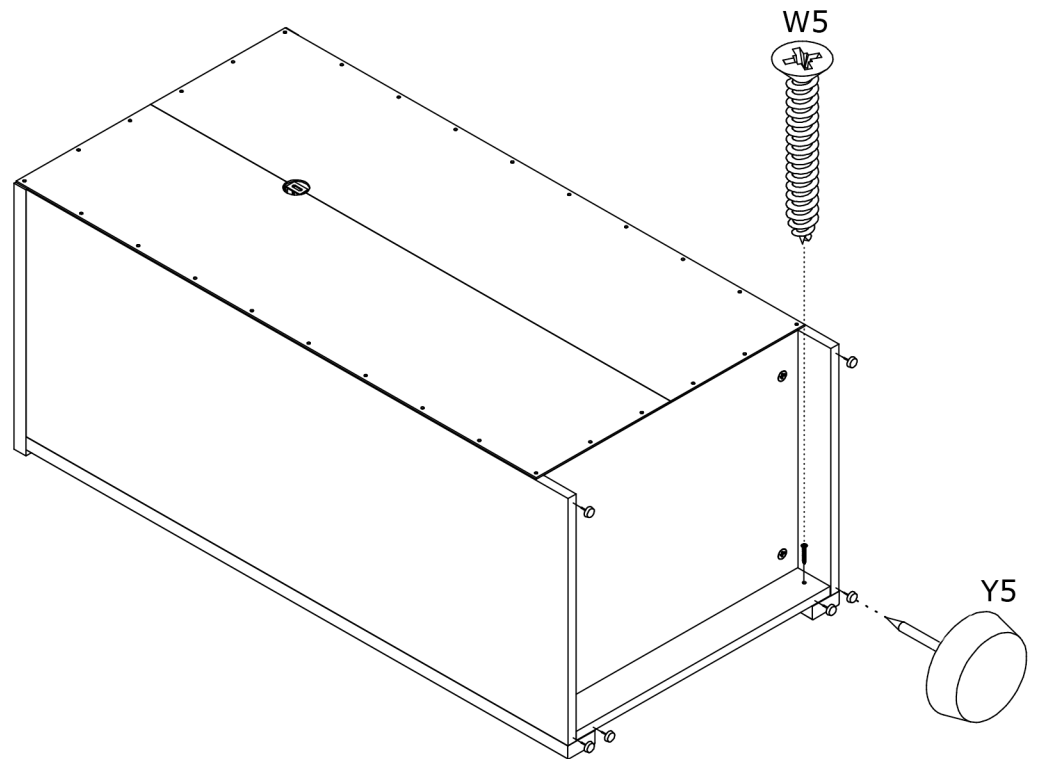
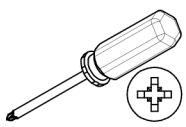
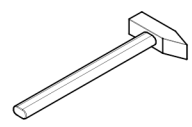
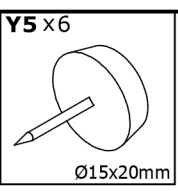
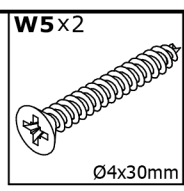
C1 x 4
Ø15x12mm



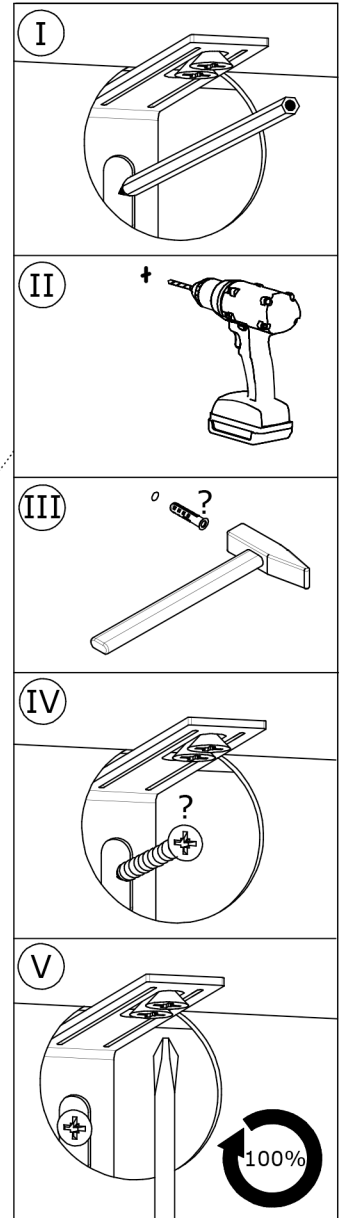
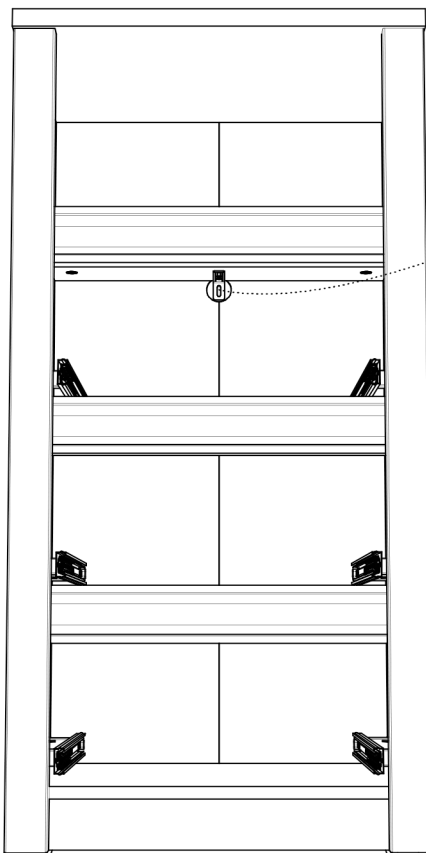
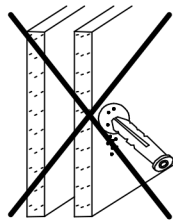
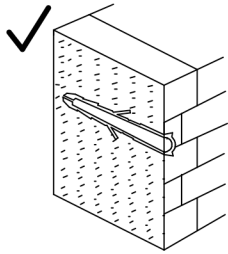
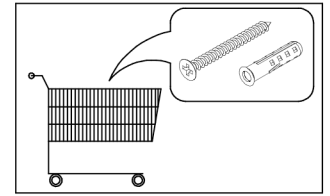
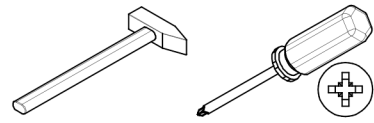
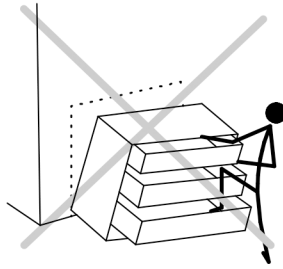
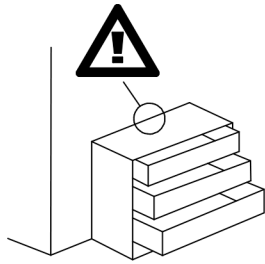
19



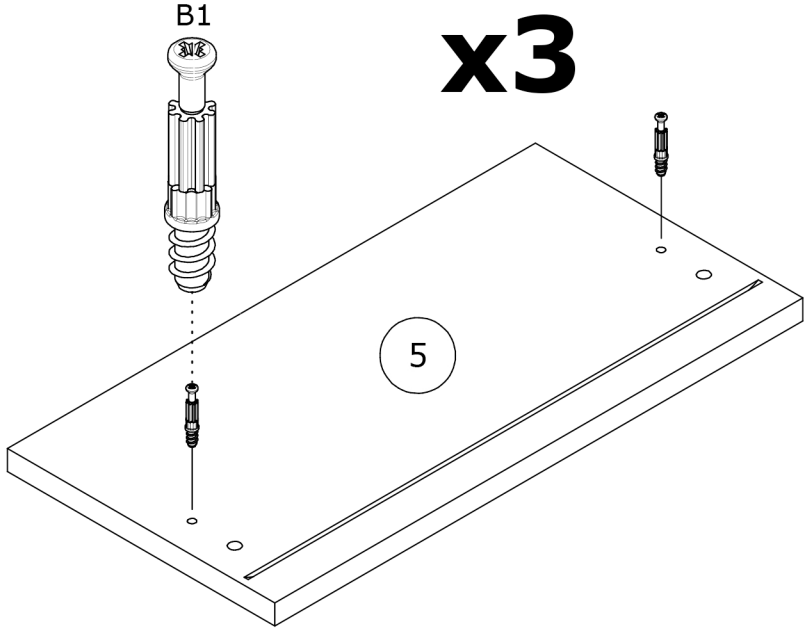
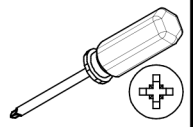
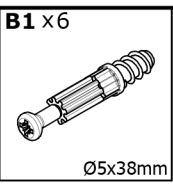
20



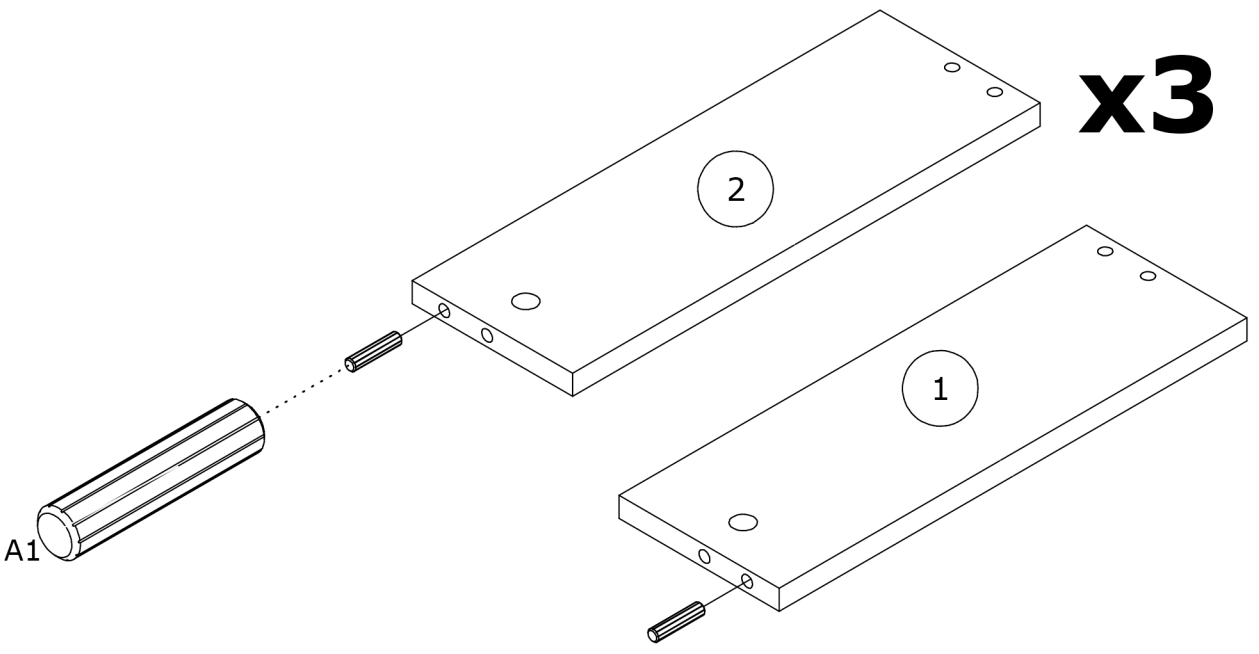
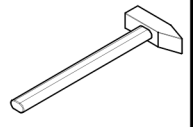
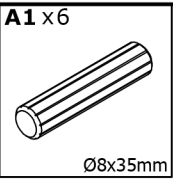
21



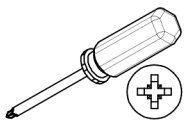
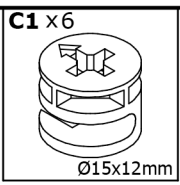
22



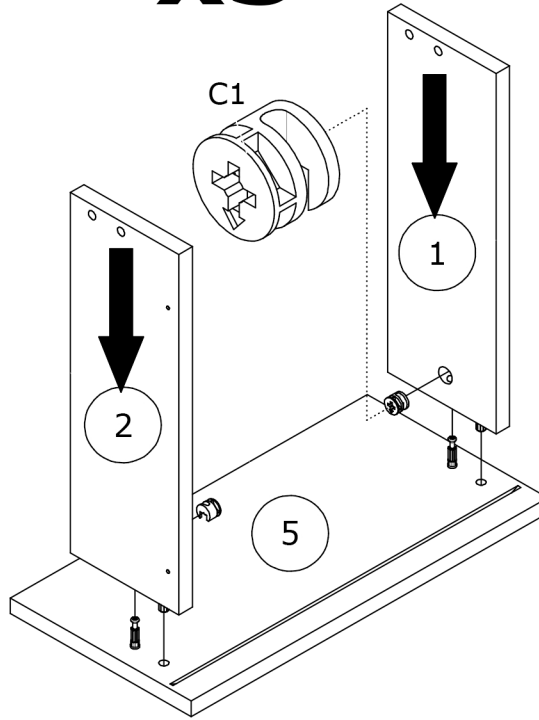
23



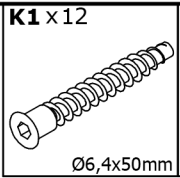
24



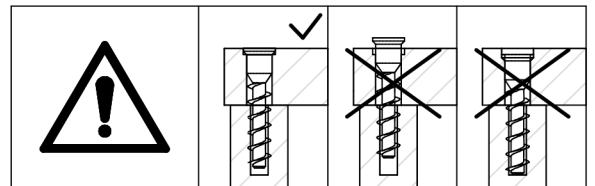
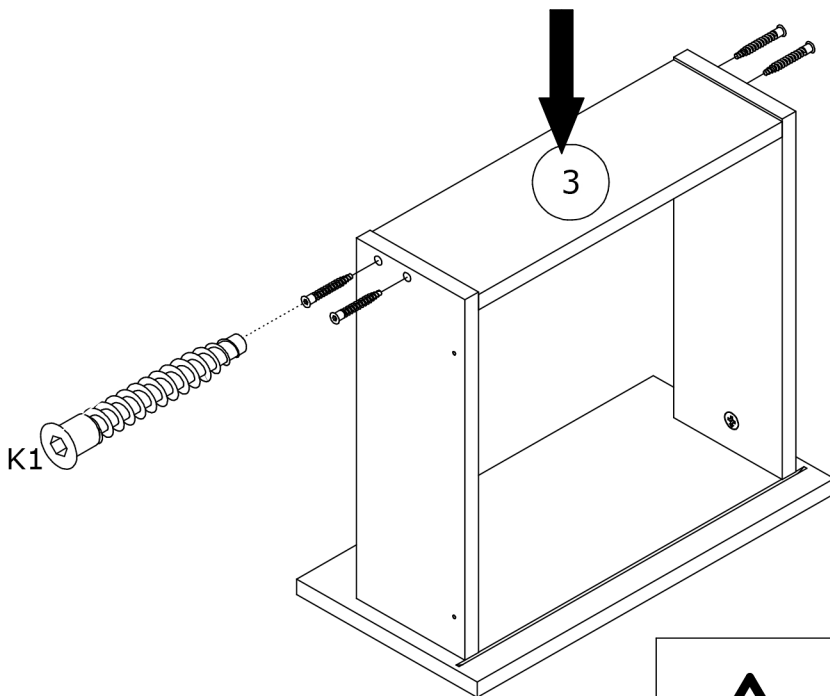
x3



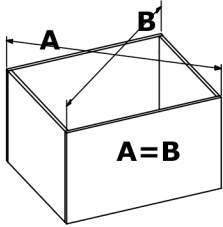
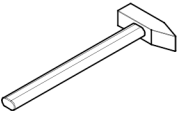
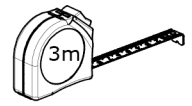
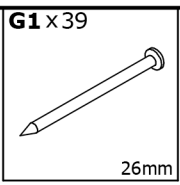
25



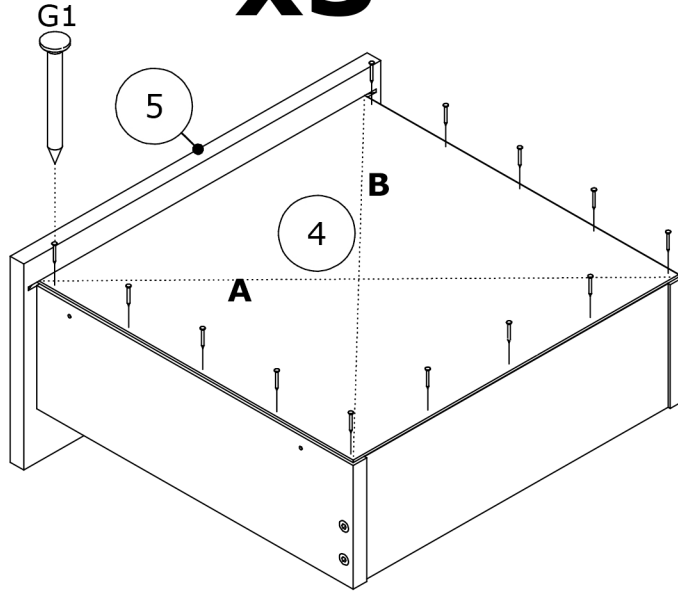
x3



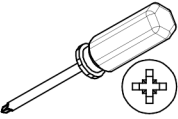
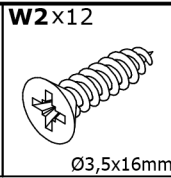
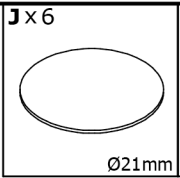
26



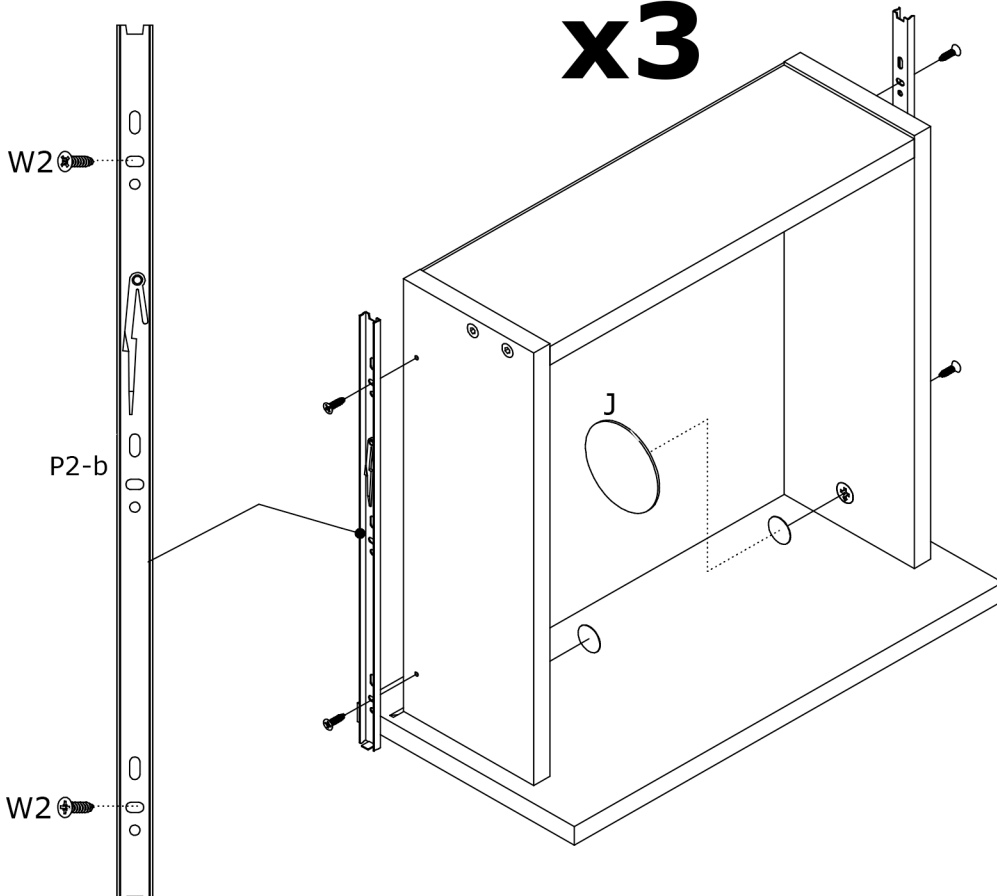
x3



27

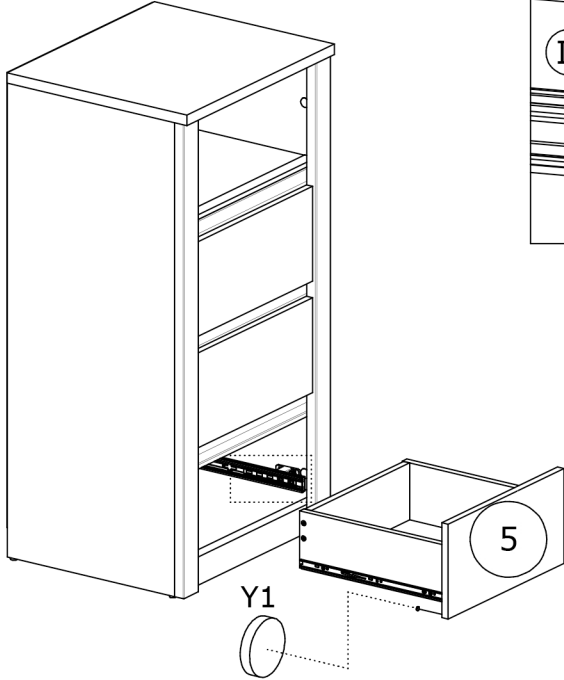
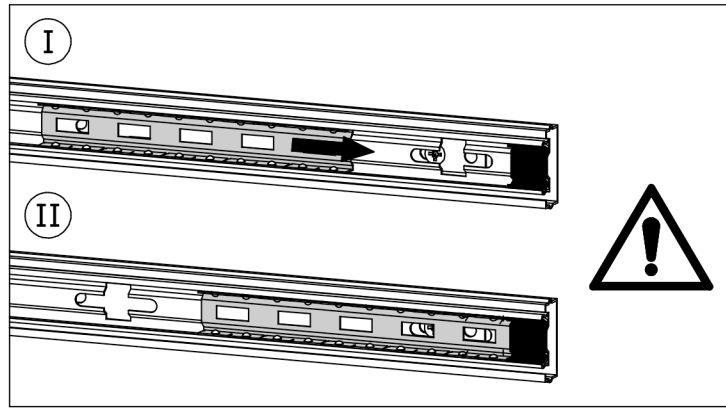
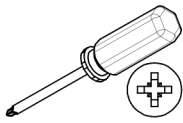


x3



28

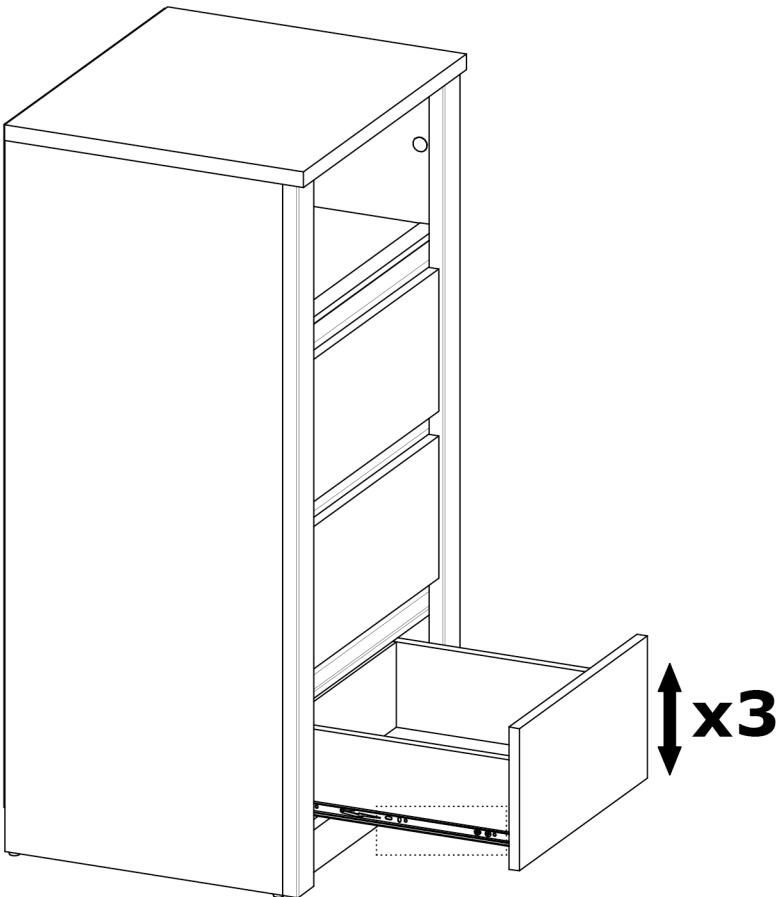
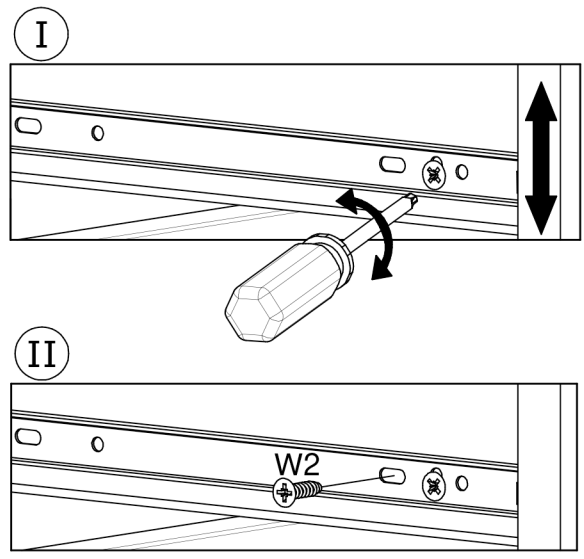
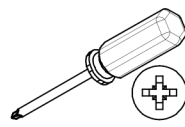
Y1 x6
Ø8x1,5mm



x3

29

W2 x6
Ø3,5x16mm



30

